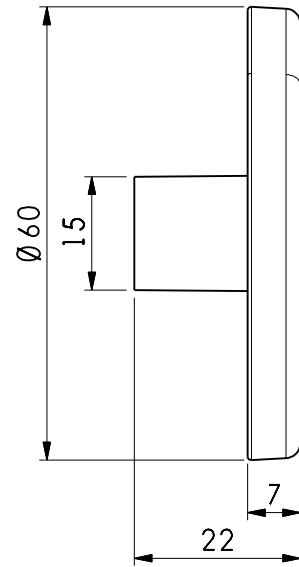
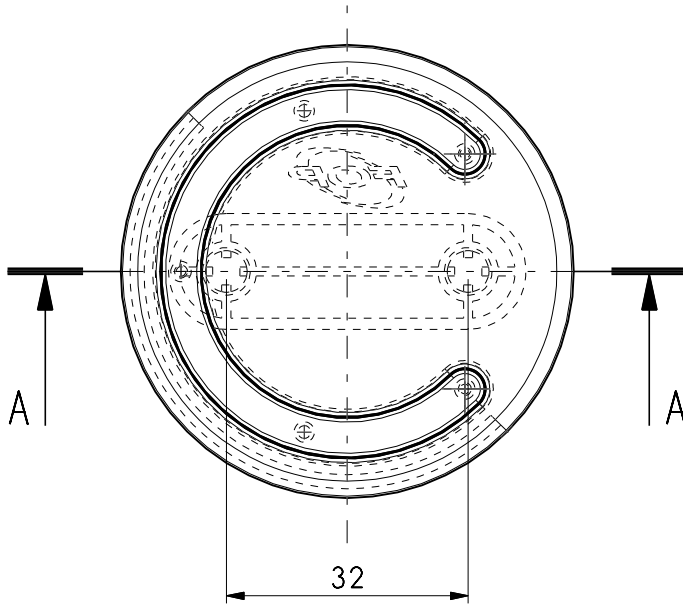
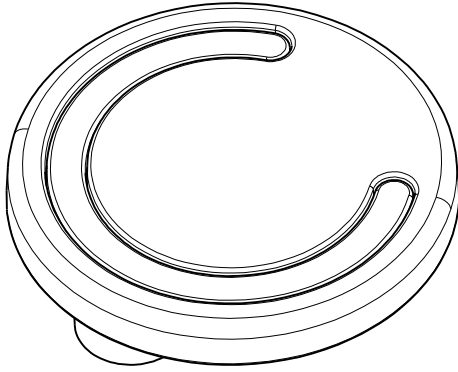
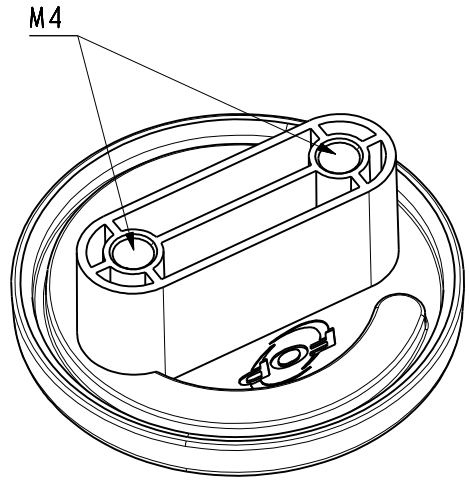
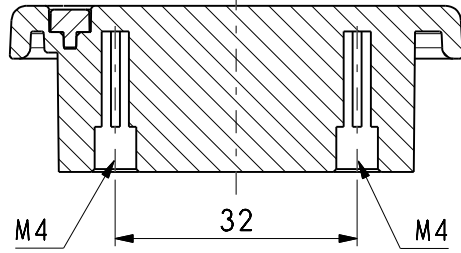


Sez. A-A



MATERIAL: ABS

REV	POSITION	DESCRIPTION	DATE	NAME
			UNIT mm	TYPE DRAFT DRAWING
ART. 093364		FILENAME *****	CREATED BY *****	FORMAT A4
PROJECT NAME *****		CLIENT *****	CREATION DATE *****	REVISION ***
			PART CODE	SHEET 1 / 1
			TOOL CODE	*****
			CHECKED BY *****	CHECKED_DATE *****